
Vehicle Electrification System Standards

IV. High Voltage Battery Pack System

IV.e Battery Pack Removal and Replacement

OEM Acronyms:

HEV, PHEV, BEV, FCEV

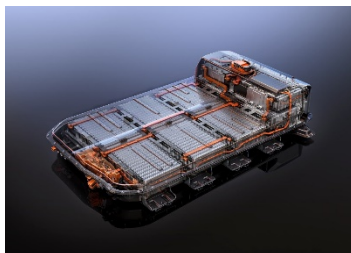
Description:

High Voltage BEV, HEV, PHEV, and FCEV battery pack removal and replacement will be required during the service life of a vehicle. There are a significant number of technical and safety related processes, combined with the proper tools and equipment that, must be followed when performing High Voltage related service procedures to ensure the safety of the technician(s).

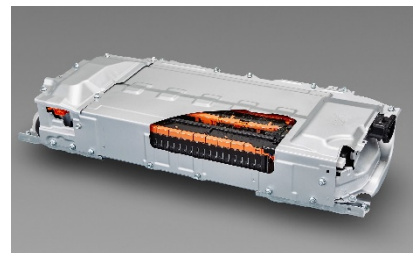
Outcome (Goal):

Students shall be able to perform the removal and replacement of High Voltage Battery Packs in BEV, HEV, PHEV, and FCEV electrified vehicles.

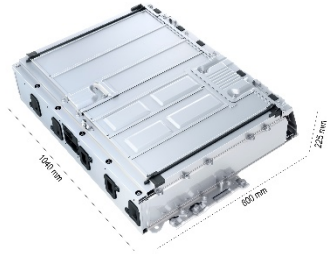
BEV:



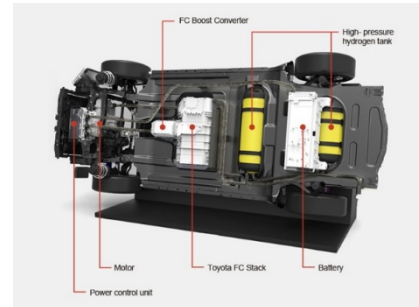
HEV:



PHEV:



FCEV:



Objective:

Students shall remove and replace a BEV, HEV, PHEV, or FCEV battery pack from a vehicle using the prescribed procedures, processes, tools, and equipment.

Task:

Students will remove and replace a High Voltage Battery Pack from a BEV, HEV, PHEV, and FCEV using OEM service information and all specialized equipment prescribed in the OEM service information and professional electrification documentation.

Required Special Tools and/or Equipment to Complete Task:

Vac-N-Fill



Insulation
Meter



Battery Lift Table and Adaptors



Engine-Battery Pack Lift/Hoist



NSF / ATE Grant Award # 1700708

Northwest Engineering and Vehicle Technology Exchange (NEVTEX)

Advanced Vehicle Technician Standards Committee (AVTSC)



To comment or offer suggestions on this standard, contact Ken Mays:

Ken Mays	NEVTEX
541-383-7753	kmays@cocc.edu

